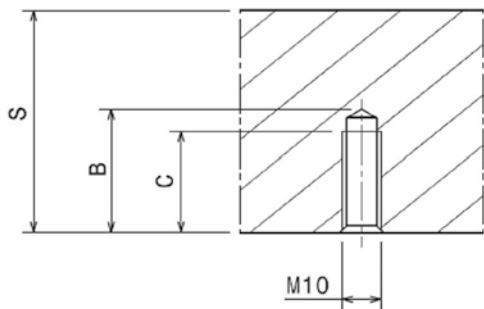


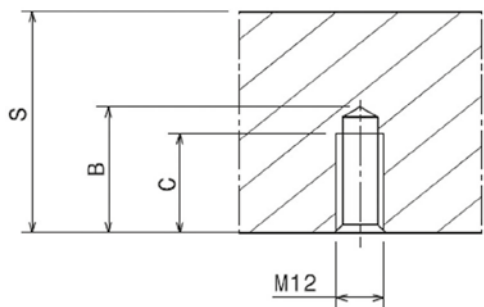
CARATTERISTICHE DIMENSIONALI FILETTI

THREAD SIZE SPECIFICATIONS

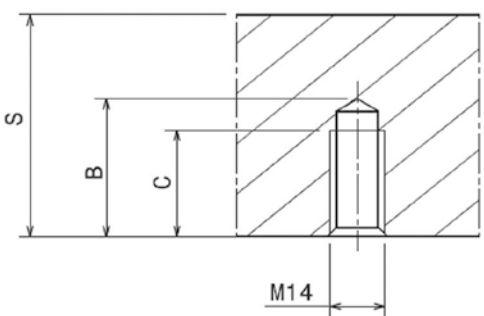
GRÖSSENEIGENSCHAFTEN GEWINDE



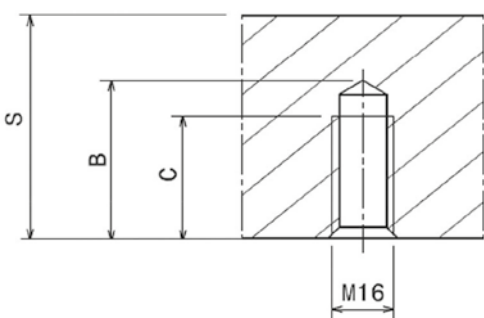
M10		
S	B	C
= 22	21	17
>22	24	18



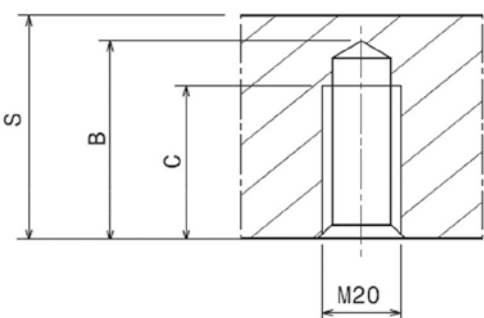
M12		
S	B	C
= 26	25	20.5
>26	28	21



M14		
S	B	C
= 26	25	20
>26	34	27



M16		
S	B	C
≈ 46	40	31



M20		
S	B	C
≈ 56	48	35